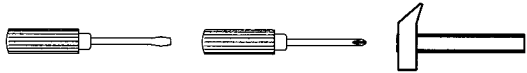
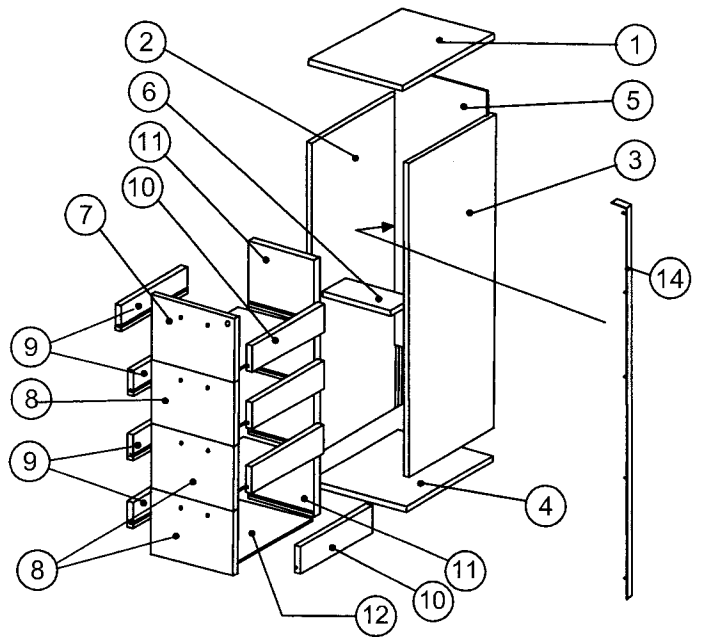
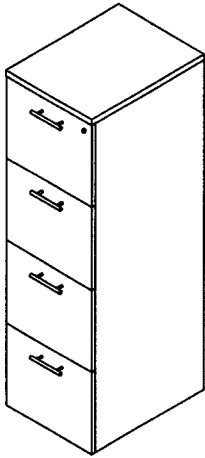


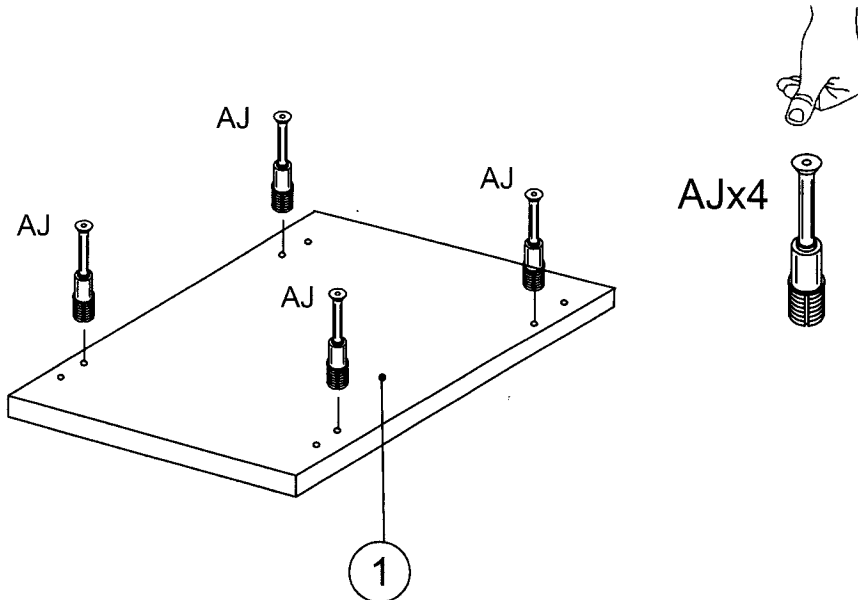
# FILING 4 DRAWERS

2764.4

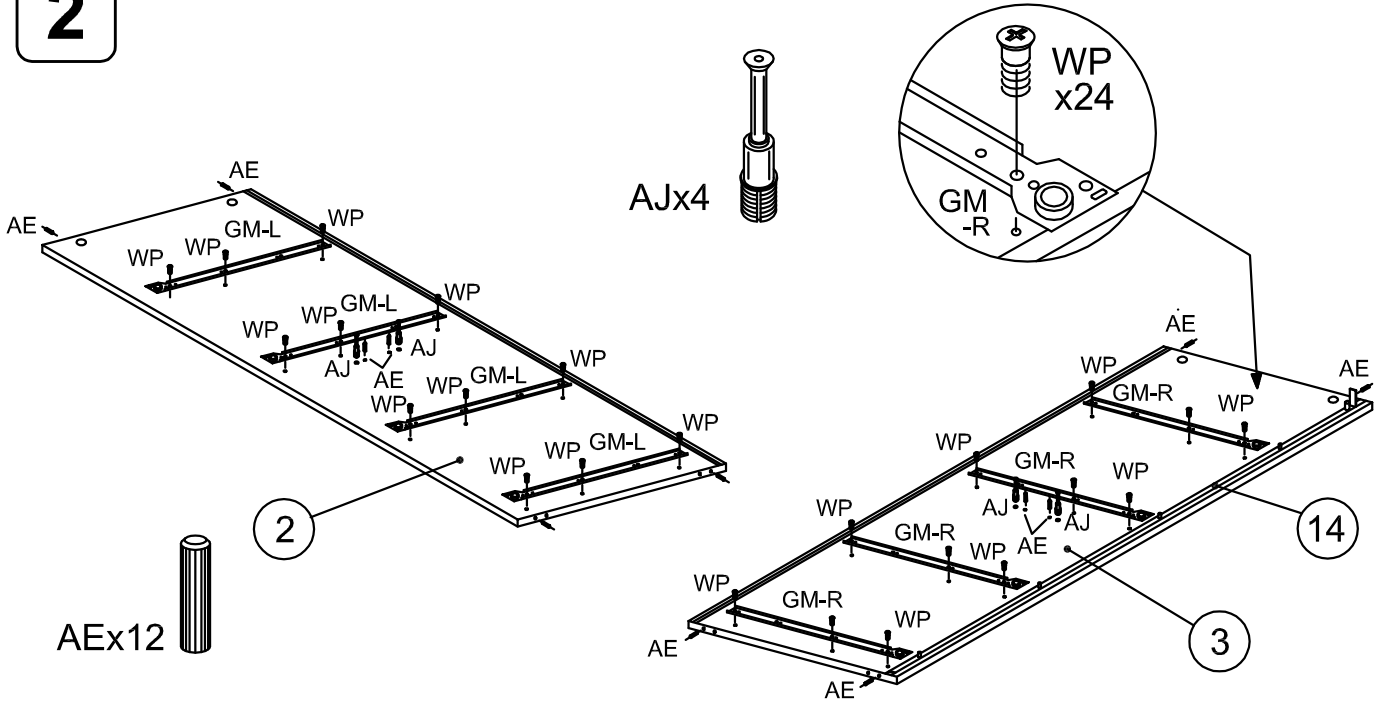


AE 28 	AJ 24 	AM 24 	LN 4 	VB ⊕ 12 	QN 1 	QZ 4 	VZ ⊕ 8 	PA 4 	WP 24 
WA 12 	WE 1 	VA ⊕ 20 	VJ ⊕ 17 						
FD 4 	FE 4 	GM (R+L) 45 cm 4+4 		GN (R+L) 45 cm 4+4 					

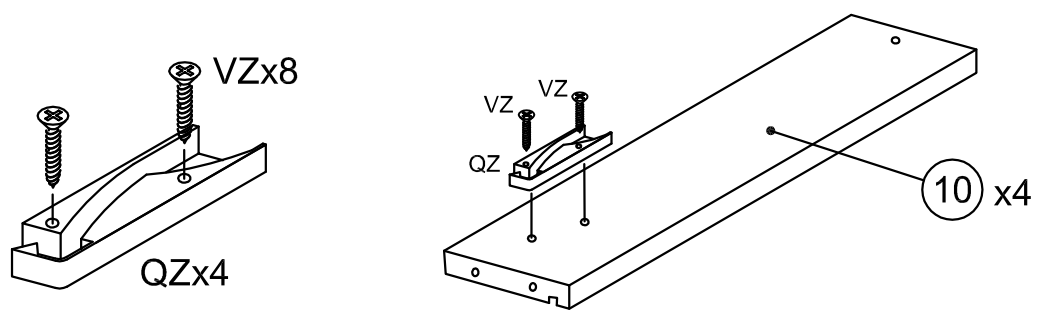
**1**



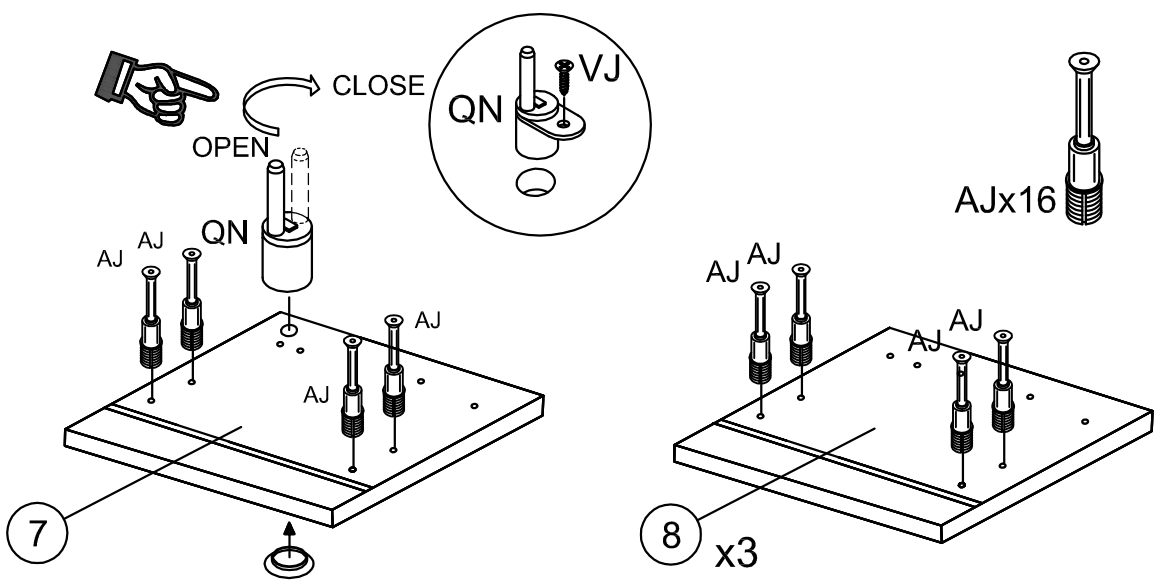
2



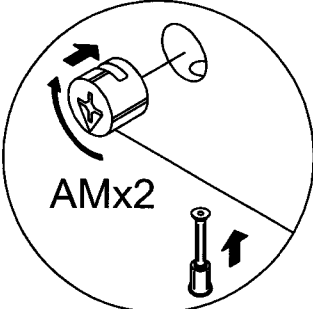
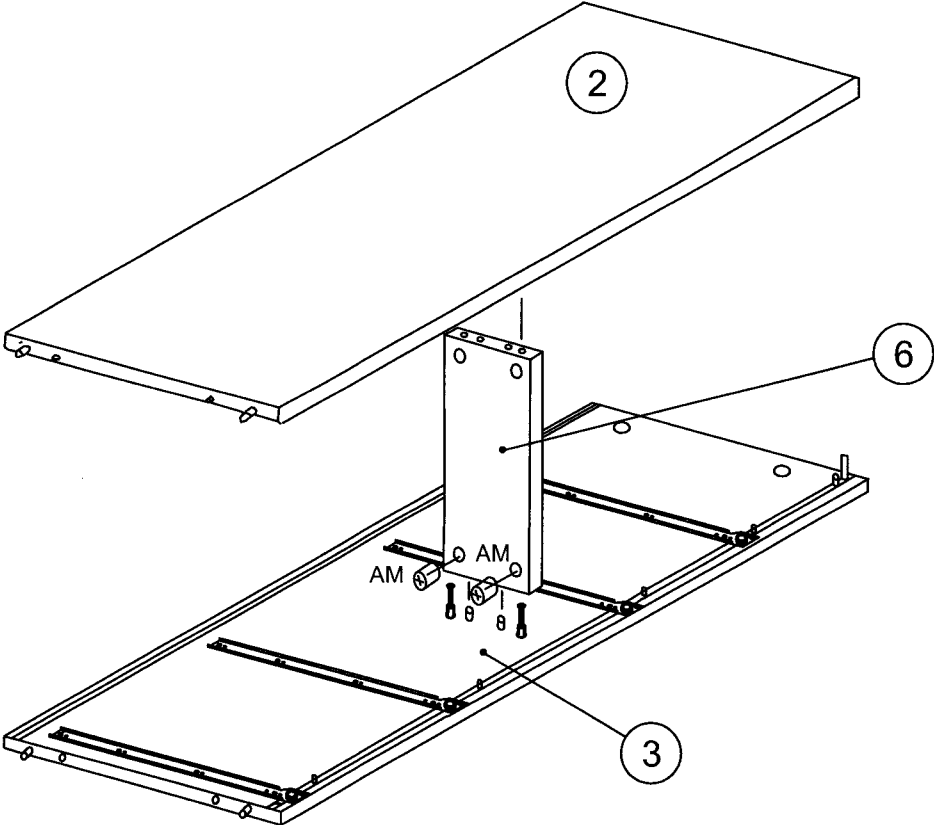
3



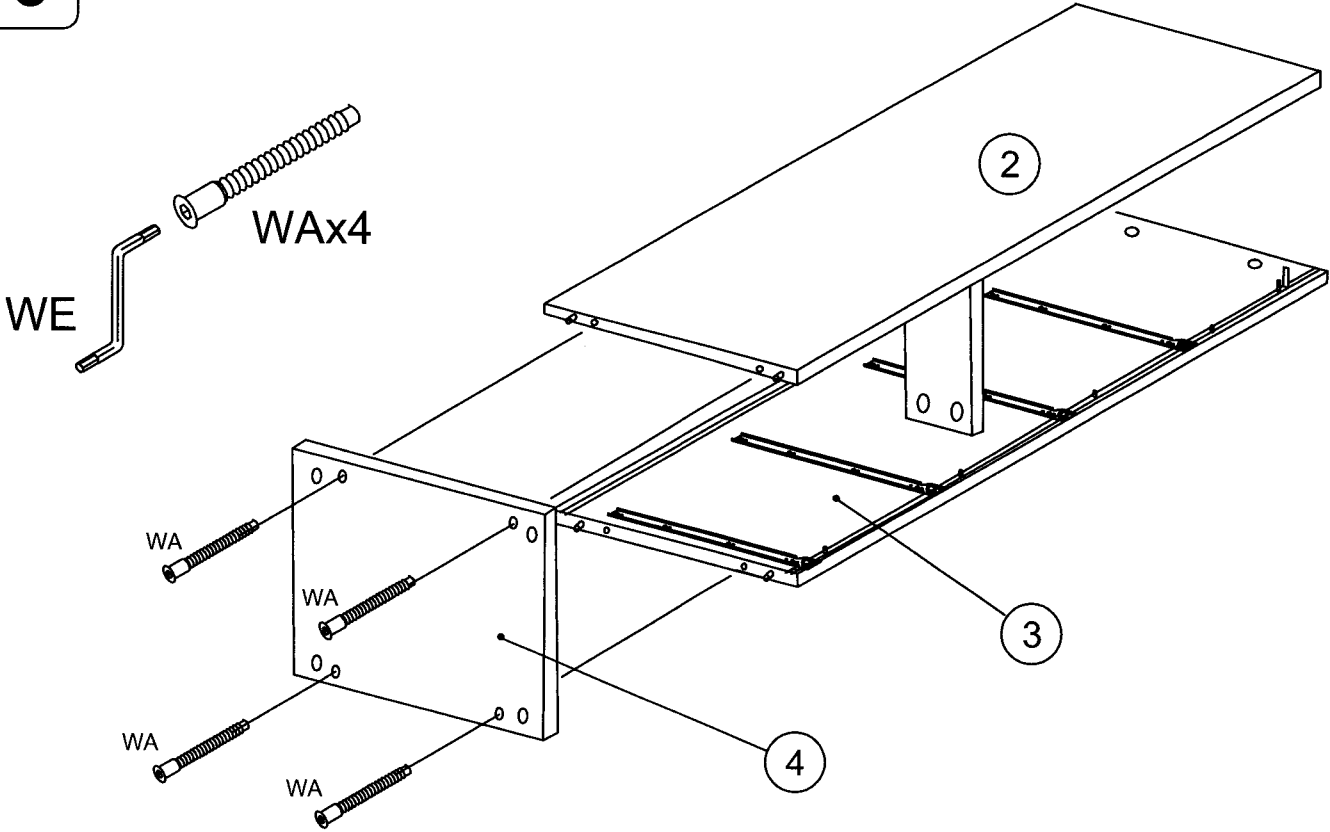
4



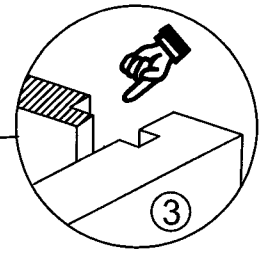
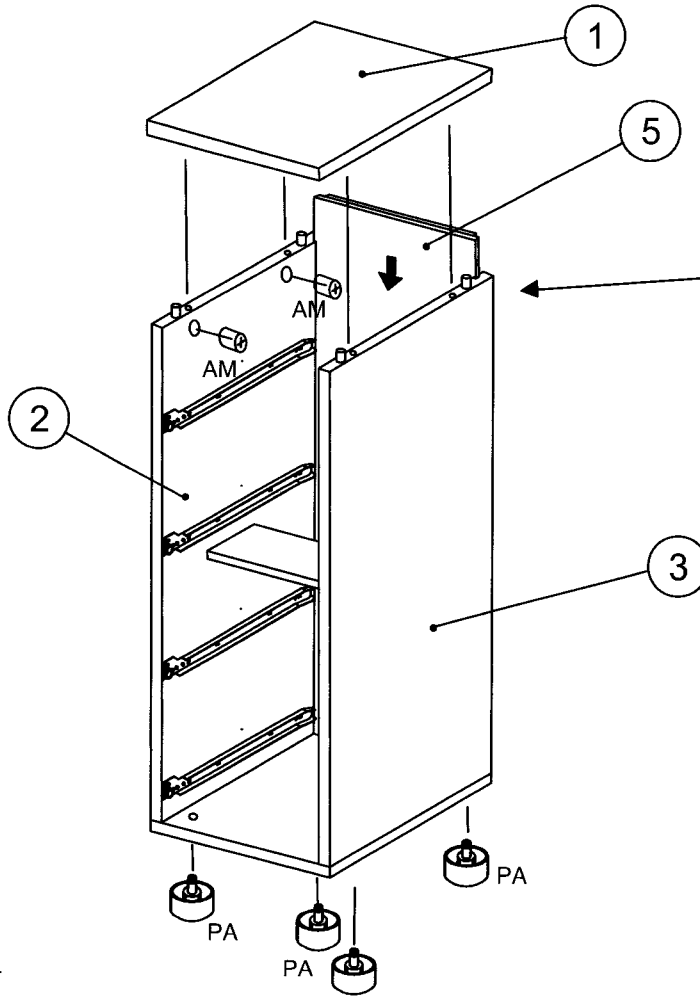
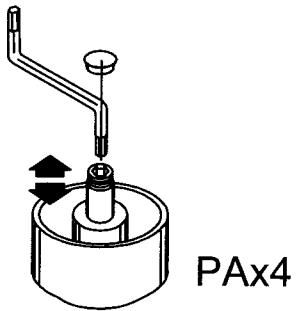
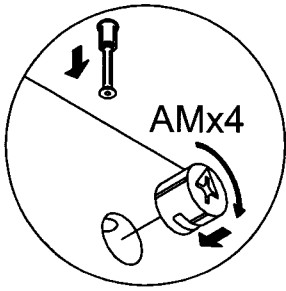
5



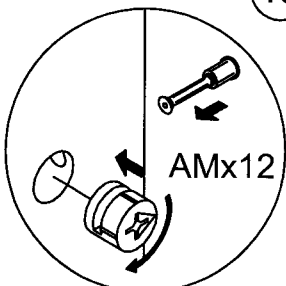
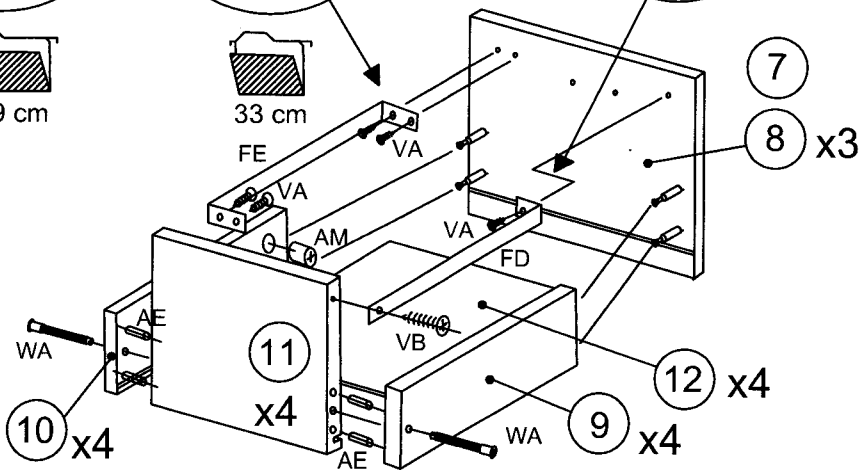
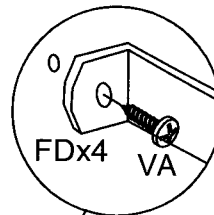
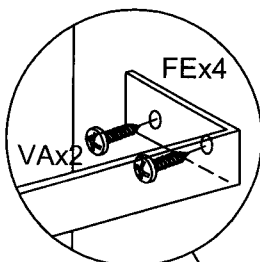
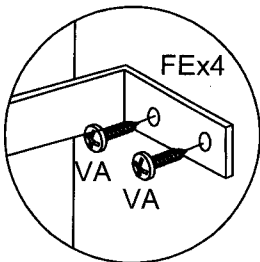
6



7

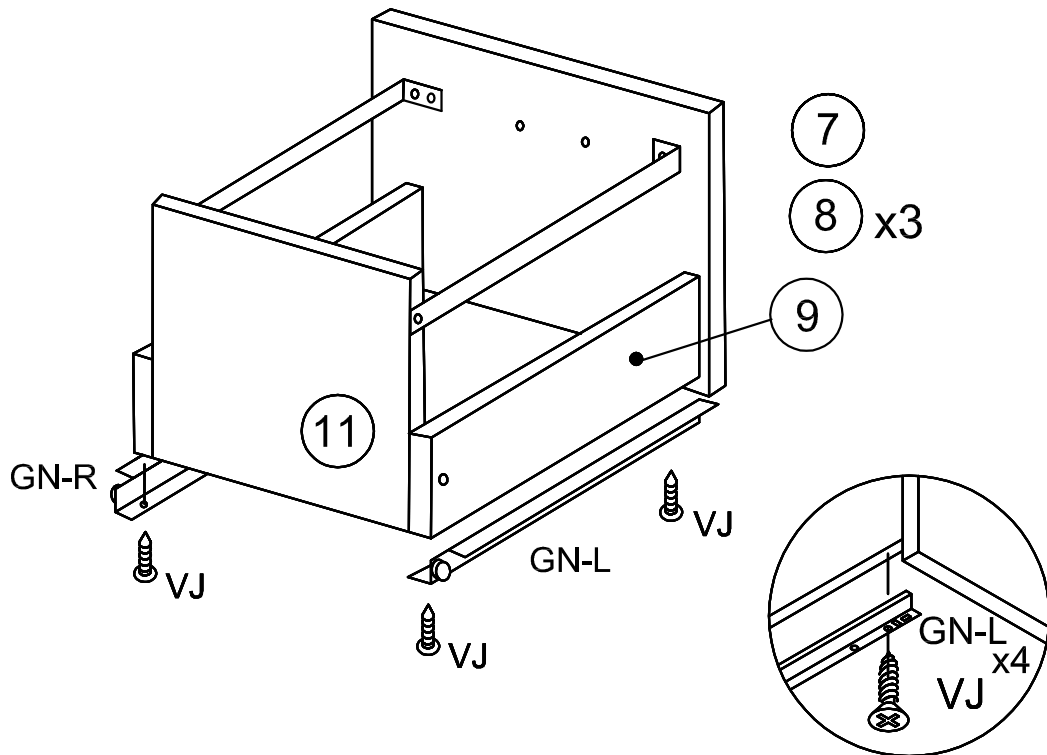


8

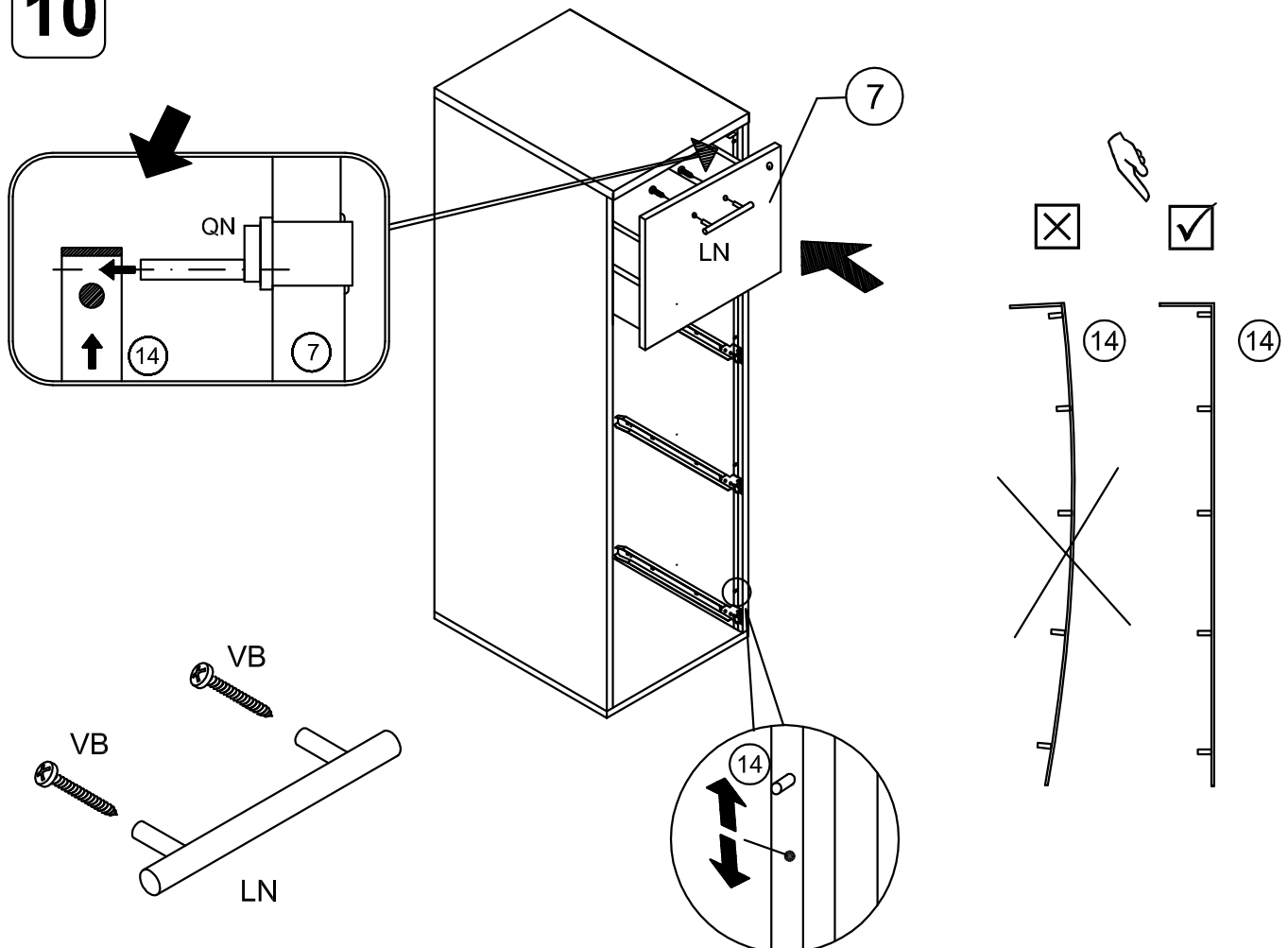


- VBx3
- WAx6
- AEx12

9



10



11

